

Wall mounted receptacle Cepex

Part number: 4870



MENNEKES
Elektrotechnik GmbH & Co. KG

Aloys-Mennekes-Straße 1
57399 Kirchhundem
GERMANY

www.MENNEKES.org

Product Description

- screw connection technology
- internal fixing
- enclosure can be turned 180°
- with labeling field
- with safety lock, two keys
- also available with identical lock
- cannot be dismantled when locked

Technical Details

Wall mounted receptacle Cepex	4870
Product serie	Cepex
Ampere	32A
Number of poles	5p
Clock position	6h
Nominal voltage AC	400V
Nominal frequency	50 - 60 Hz
Protection type IP	IP54
Contact carrier	standard
X-CONTACT	no
Connection	screw terminals
Contact screw drive	PZ2, slot
Pilot contact	without pilot contact
Pilot contact switch	no
Blind cable entry at the rear	no
Enclosure base can be turned 180°	yes
Insertion direction	straight
Type of mounting	internal fixing
Highly resistant to chemicals	no
Military version	no
Lockable	yes
Identical lock	no
Labeling field	yes
Tightening torque connection terminal	2 Nm

Wall mounted receptacle Cepex	4870
Strip length solid conductor	8 - 10 mm
Conductor cross-section min.	2.5 mm ²
Conductor cross-section max.	6 mm ²
Weight (net)	433 g
Packaging unit	8 pcs
Quantity per pallet	720 pcs
EAN / identification number	4015394314912

Permissible ambient conditions

	Min.	Max.
Permanent ambient temperature	-25 °C	40 °C
Average temperature over 24 hours		35 °C

Material properties

Base	PC/ASA light grey [similar RAL 7035]
Upper part	PC/ASA light grey [similar RAL 7035]
Hinged lid	PC/ASA light grey [similar RAL 7035]

Material resistance

The material resistance overview can be found on the website in the section "Knowledge" - "Product knowledge" - "Materials".

Material and environmental properties

RoHS 2011/65/EU incl. 2015/863/EU	✓
POP regulation (EU) 2019/1021	✓

Regulations and Standards

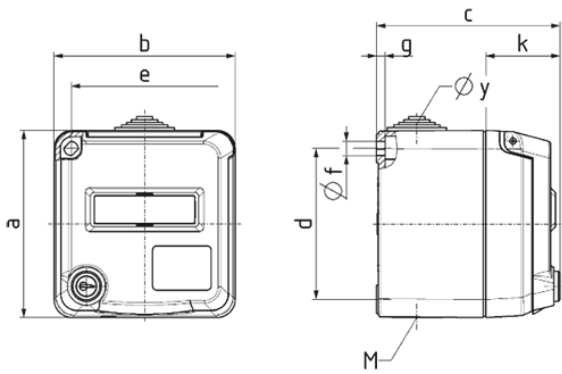
Norm

DIN EN IEC 60309-2

Declaration of Conformity

CE

Dimensional Drawing



Drawing	Amp. Poles	16			32			
		2p+E	3	4	5	3	4	5
1 MB 748								
Dim. in mm	a	93	93	93	93	93	93	93
	b	90	90	90	90	90	90	90
	c	92	92	92	92	104	104	104
	d	75	75	75	75	75	75	75
	e	73	73	73	73	73	73	73
	f	5.5	5.5	5.5	5.5	5.5	5.5	5.5
	g	4.2	4.2	4.2	4.2	4.2	4.2	4.2
	k	37	37	37	37	37	37	37
	y	25.5	25.5	25.5	25.5	25.5	25.5	25.5
	M	25x1.5	25x1.5	25x1.5	25x1.5	25x1.5	25x1.5	25x1.5
Terminal for cond. cross section (mm ²) min.-max.		1.5	1.5	1.5	1.5	2.5	2.5	2.5
		2.5	-4	-4	-4	-6	-6	-6