

# Panel mounted receptacle Cepex

Part number: 4438



**MENNEKES**  
Elektrotechnik GmbH & Co. KG

Aloys-Mennekes-Straße 1  
57399 Kirchhundem  
GERMANY

[www.MENNEKES.org](http://www.MENNEKES.org)

# Product Description

- screw connection technology
- with labeling field

# Technical Details

| Panel mounted receptacle Cepex        | 4438                  |
|---------------------------------------|-----------------------|
| Product serie                         | Cepex                 |
| Ampere                                | 32A                   |
| Number of poles                       | 5p                    |
| Clock position                        | 6h                    |
| Nominal voltage AC                    | 400V                  |
| Nominal frequency                     | 50 - 60 Hz            |
| Protection type IP                    | IP54                  |
| Contact carrier                       | standard              |
| X-CONTACT                             | no                    |
| Connection                            | screw terminals       |
| Contact screw drive                   | PZ2, slot             |
| Pilot contact                         | without pilot contact |
| Pilot contact switch                  | no                    |
| Insertion direction                   | straight              |
| Highly resistant to chemicals         | no                    |
| Military version                      | no                    |
| Lockable                              | no                    |
| Labeling field                        | yes                   |
| Tightening torque connection terminal | 2 Nm                  |
| Strip length flexible conductor       | 8 - 10 mm             |
| Strip length solid conductor          | 8 - 10 mm             |
| Conductor cross-section min.          | 2.5 mm <sup>2</sup>   |
| Conductor cross-section max.          | 6 mm <sup>2</sup>     |
| Weight (net)                          | 278 g                 |
| Packaging unit                        | 8 pcs                 |
| Quantity per pallet                   | 720 pcs               |

|                                |               |
|--------------------------------|---------------|
| Panel mounted receptacle Cepex | 4438          |
| EAN / identification number    | 4015394315650 |

**Permissible ambient conditions**

|                                   | Min.   | Max.  |
|-----------------------------------|--------|-------|
| Permanent ambient temperature     | -25 °C | 40 °C |
| Average temperature over 24 hours |        | 35 °C |

**Material properties**

|            |                                      |
|------------|--------------------------------------|
| Housing    | PC/ASA pure white [similar RAL 9010] |
| Hinged lid | PC/ASA pure white [similar RAL 9010] |

**Material resistance**

The material resistance overview can be found on the website in the section “Knowledge” - “Product knowledge” - “Materials”.

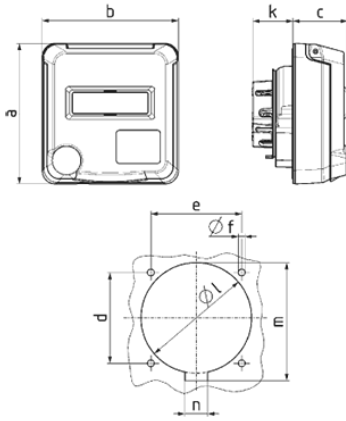
**Material and environmental properties**

|                                   |   |
|-----------------------------------|---|
| RoHS 2011/65/EU incl. 2015/863/EU | ✓ |
| POP regulation (EU) 2019/1021     | ✓ |

**Regulations and Standards**

|                           |                    |
|---------------------------|--------------------|
| Norm                      | DIN EN IEC 60309-2 |
| Declaration of Conformity | CE                 |

# Dimensional Drawing



| Drawing<br>1 MB 751  | Amp.<br>Poles | 16  |     |     | 32  |     |     |
|--|---------------|-----|-----|-----|-----|-----|-----|
|  |               | 3   | 4   | 5   | 3   | 4   | 5   |
| Dim. in mm   | <b>a</b>      | 93  | 93  | 93  | 93  | 93  | 93  |
|  | <b>b</b>      | 90  | 90  | 90  | 90  | 90  | 90  |
|  | <b>c</b>      | 36  | 36  | 36  | 36  | 36  | 36  |
|  | <b>d</b>      | 60  | 60  | 60  | 60  | 60  | 60  |
|  | <b>e</b>      | 60  | 60  | 60  | 60  | 60  | 60  |
|  | <b>f</b>      | 4.5 | 4.5 | 4.5 | 4.5 | 4.5 | 4.5 |
|  | <b>k</b>      | 26  | 27  | 27  | 43  | 43  | 43  |
|  | <b>l</b>      | 68  | 68  | 73  | 73  | 73  | 73  |
|  | <b>m</b>      | -   | -   | -   | 78  | 78  | 78  |
|  | <b>n</b>      | -   | -   | -   | 15  | 15  | 15  |
| Terminal for cond. cross<br>section (mm <sup>2</sup> ) min.-max. |               | 1.5 | 1.5 | 1.5 | 2.5 | 2.5 | 2.5 |
|  |               | -4  | -4  | -4  | -6  | -6  | -6  |