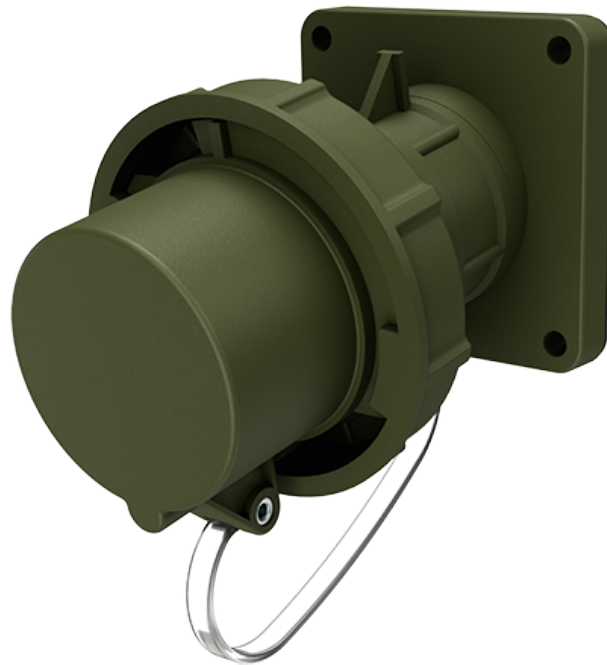


Surface mounted inlet

Part number: 23249



MENNEKES
Elektrotechnik GmbH & Co. KG

Aloys-Mennekes-Straße 1
57399 Kirchhundem
GERMANY

www.MENNEKES.org

Product Description

- screw connection technology
- highly heat resistant contact carrier, nickel plated contacts
- external fixing
- 10° inclination
- with protective cap attached by a strap
- (form BP)

Technical Details

Surface mounted inlet	23249
Ampere	32A
Number of poles	3p
Clock position	6h
Nominal voltage AC	230V
Nominal frequency	50 - 60 Hz
Protection type IP	IP67
Contact carrier	highly heat resistant contact carrier, nickel plated contacts
Connection	screw terminals
Tightening torque connection terminal	PZ2, slot
Phase inverter	without phase inverter
Pilot contact	without pilot contact
Flange dimensions	85 x 85 mm
Hole spacings	70 x 70 mm
Insertion direction	angled
Inclination	10°
Type of mounting	external fixing
Military version	yes
Protection cap	with protection cap
Tightening torque connection terminal for cable cross-section 2,5 - 4,0 mm ²	0.8 Nm
Tightening torque connection terminal for cable cross-section 6,0 mm ²	1.2 Nm
Recommended wire end treatment for supply cable connection terminal	ferrule square gasproof crimped
Strip length conductor	12 - 17 mm

Surface mounted inlet	23249
Conductor cross-section min.	2.5 mm ²
Conductor cross-section max.	6 mm ²
Weight (net)	314 g
Packaging unit	10 Stück
Quantity per pallet	540 Stück
EAN / identification number	4015394043850

Permissible ambient conditions		
	Min.	Max.
Permanent ambient temperature	-25 °C	40 °C
Average temperature over 24 hours		35 °C

Material properties	
Housing	PA6 bronze green [similar RAL 6031]
Flange	PA6 bronze green [similar RAL 6031]
Protective cap	PC bronze green [similar RAL 6031]
Bayonet ring	PC/PET bronze green [similar RAL 6031]

Material resistance

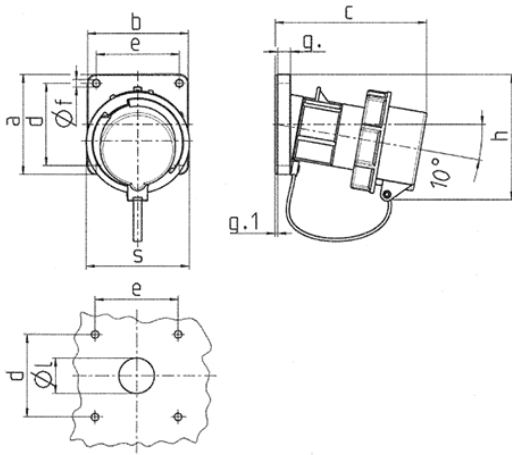
The material resistance overview can be found on the website in the section “Knowledge” - “Product knowledge” - “Materials”.

Material and environmental properties	
RoHS 2011/65/EU incl. 2015/863/EU	✓
POP regulation (EU) 2019/1021	✓

Regulations and Standards

Norm	DIN EN IEC 60309-2
Declaration of Conformity	CE
Test label	VDE, EAC

Dimensional Drawing



Drawing	Amp.	16		32			63		
		Poles		3	4	5	3	4	5
2 MB 62									
Dim. in mm	a	85	85	85	85	85	108	108	108
	b	85	85	85	85	85	101	101	101
	c	132	132	131	131	137	164	164	164
	d	70	70	70	70	70	85	85	85
	e	70	70	70	70	70	77	77	77
	f	6.3	6.3	6.3	6.3	6.3	6.5	6.5	6.5
	g	11	11	11	11	11	12	12	12
	g.1	2	2	2	2	2	2	2	2
	h	100	107	108	108	111	130	130	130
	s	70	87	94	94	102	114	114	114
	l	30	30	30	30	30	40	40	40
Terminal for cond. cross section (mm ²) min.-max.		1	1	2,5	2,5	2,5	6	6	6
		-2.5	-2.5	-6	-6	-6	-16	-16	-16