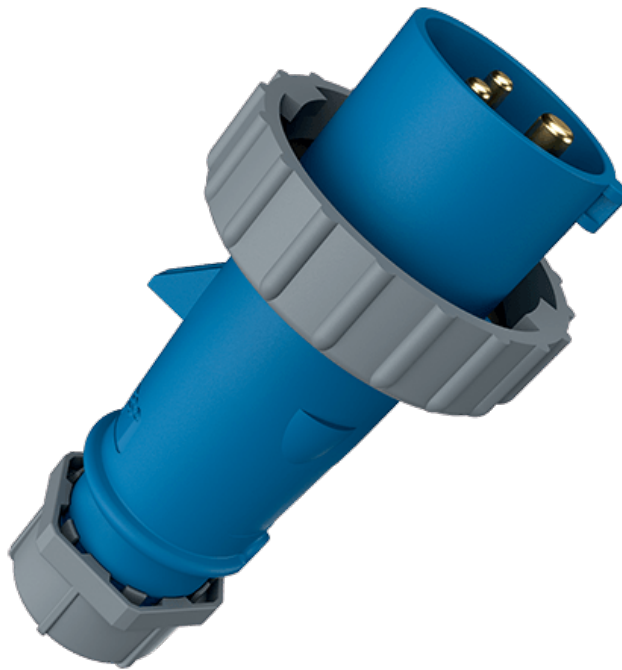


# Plug AM-TOP

Part number: 278



**MENNEKES**  
Elektrotechnik GmbH & Co. KG

Aloys-Mennekes-Straße 1  
57399 Kirchhundem  
GERMANY

[www.MENNEKES.org](http://www.MENNEKES.org)

## Product Description

- screw connection technology
- single part body
- protection against kinking
- strain relief
- cable gland and sealing

## Technical Details

| Plug AM-TOP   | 278                             |
|---|---------------------------------|
| Product serie   | AM-TOP                          |
| Ampere  | 16A                             |
| Number of poles   | 3p                              |
| Clock position  | 6h                              |
| Nominal voltage AC  | 230V                            |
| Nominal frequency   | 50 - 60 Hz                      |
| Protection type IP  | IP67                            |
| Contact carrier   | standard                        |
| Connection  | screw terminals                 |
| Contact screw drive   | PZ2, slot                       |
| Tightening torque connection terminal for cable cross-section 1,0 - 1,5 mm <sup>2</sup> | 0.6 Nm                          |
| Tightening torque connection terminal for cable cross-section 2,5 - 4,0 mm <sup>2</sup> | 0.8 Nm                          |
| Recommended wire end treatment for supply cable connection terminal                     | ferrule square gasproof crimped |
| Strip length jacket   | 40 mm                           |
| Strip length conductor  | 8 - 10 mm                       |
| Phase inverter  | without phase inverter          |
| Pilot contact   | without pilot contact           |
| Conductor cross-section min.  | 1 mm <sup>2</sup>               |
| Conductor cross-section max.  | 2.5 mm <sup>2</sup>             |
| Cable kink protection   | integrated in cable gland       |
| Protective grommet  | without protective grommet      |
| Protective cap  | without protective cap          |
| Weight (net)  | 160 g                           |

|                             |               |
|-----------------------------|---------------|
| Plug AM-TOP                 | 278           |
| Packaging unit              | 10 pcs        |
| Quantity per pallet         | 1520 pcs      |
| EAN / identification number | 4015394001904 |

Permissible ambient conditions

|                               | Min.   | Max.  |
|-------------------------------|--------|-------|
| Permanent ambient temperature | -25 °C | 40 °C |

Material properties

|              |   |
|--------------|---|
| Housing      | PA6 blue [similar RAL 5007]   |
| Bayonet ring | PC/PET squirrel grey [similar RAL 7000]   |
| Clamp basket | PA6 natural colour [no RAL colour code]<br>TPE squirrel grey [similar RAL 7000] |
| Fastening    | PA6 squirrel grey [similar RAL 7000]  |

Material resistance

The material resistance overview can be found on the website in the section “Knowledge” - “Product knowledge” - “Materials”.

Material and environmental properties

|                                   |   |
|-----------------------------------|---|
| RoHS 2011/65/EU incl. 2015/863/EU | ✓ |
| POP regulation (EU) 2019/1021     | ✓ |

Regulations and Standards

|                           |                    |
|---------------------------|--------------------|
| Norm                      | DIN EN IEC 60309-2 |
| Declaration of Conformity | CE                 |
| Test label                | VDE, EAC, CQC      |

# Dimensional Drawing



| Drawing<br>2 MB 218                  | Amp.<br>Poles | 16   |      |      | 32  |     |     |
|--------------------------------------|---------------|------|------|------|-----|-----|-----|
|                                      |               | 3    | 4    | 5    | 3   | 4   | 5   |
| Dim. in mm                           | a             | 142  | 144  | 147  | 186 | 186 | 180 |
|                                      | b             | 70   | 78   | 87   | 94  | 94  | 101 |
|                                      | n             | 109  | 111  | 114  | 145 | 145 | 138 |
|                                      | y             | 14.5 | 16   | 16   | 22  | 22  | 22  |
| Terminal for cond. cross             |               | 1    | 1    | 1    | 2.5 | 2.5 | 2.5 |
| section (mm <sup>2</sup> ) min.-max. |               | -2.5 | -2.5 | -2.5 | -6  | -6  | -6  |