

# Connector PowerTOP Xtra

Part number: 14510



**MENNEKES**  
Elektrotechnik GmbH & Co. KG

Aloys-Mennekes-Straße 1  
57399 Kirchhundem  
GERMANY

[www.MENNEKES.org](http://www.MENNEKES.org)

## Product Description

- screw connection technology ErgoCONTACT
- economic enclosure design with nubbed grip areas
- enclosure with thread lock and safety slide
- X-CONTACT
- protection against kinking
- strain relief
- rubberised cable gland with sealing
- area for self-adhesive labels

## Technical Details

| Connector PowerTOP Xtra   | 14510                           |
|---|---------------------------------|
| Product serie   | PowerTOP Xtra                   |
| Ampere  | 16A                             |
| Number of poles   | 5p                              |
| Clock position  | 6h                              |
| Nominal voltage AC  | 400V                            |
| Nominal frequency   | 50 - 60 Hz                      |
| Protection type IP  | IP54                            |
| Contact carrier   | standard                        |
| X-CONTACT   | yes                             |
| Connection  | screw terminals - ErgoCONTACT   |
| Contact screw drive   | slot, PZ2                       |
| Tightening torque connection terminal                               | 1.2 Nm                          |
| Recommended wire end treatment for supply cable connection terminal | ferrule square gasproof crimped |
| Strip length jacket   | 55 mm                           |
| Strip length conductor PH + N                                       | 10 mm                           |
| Strip length conductor PE   | 10 mm                           |
| Pilot contact   | without pilot contact           |
| Conductor cross-section min.  | 1 mm <sup>2</sup>               |
| Conductor cross-section max.  | 2.5 mm <sup>2</sup>             |
| Cable kink protection   | integrated in cable gland       |

|                             |                            |
|-----------------------------|----------------------------|
| Connector PowerTOP Xtra     | 14510                      |
| Protective grommet          | without protective grommet |
| Weight (net)                | 274 g                      |
| Packaging unit              | 10 pcs                     |
| Quantity per pallet         | 880 pcs                    |
| EAN / identification number | 4015394289357              |

Permissible ambient conditions

|                               | Min.   | Max.  |
|-------------------------------|--------|-------|
| Permanent ambient temperature | -25 °C | 40 °C |

Material properties

|              |   |
|--------------|---|
| Cover        | PA6 red [similar RAL 3013]              |
| Front part   | PA6 red [similar RAL 3013]              |
| Hinged lid   | PC red [similar RAL 3013]               |
| Clamp basket | PA6 natural colour [no RAL colour code] |
|              | TPE squirrel grey [similar RAL 7000]    |
| Fastening    | PA6 squirrel grey [similar RAL 7000]    |
|              | TPE anthracite [similar RAL 7016]       |

Material resistance

The material resistance overview can be found on the website in the section “Knowledge” - “Product knowledge” - “Materials”.

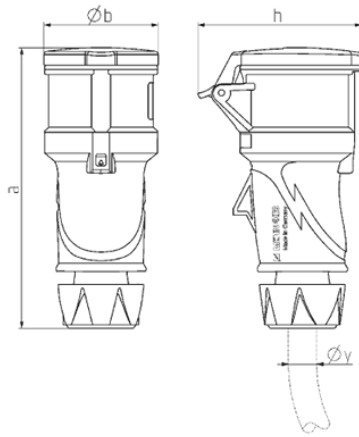
Material and enviromental properties

|                                   |   |
|-----------------------------------|---|
| RoHS 2011/65/EU incl. 2015/863/EU | ✓ |
| POP regulation (EU) 2019/1021     | ✓ |

Regulations and Standards

|                           |                              |
|---------------------------|------------------------------|
| Norm                      | DIN EN IEC 60309-2           |
| Declaration of Conformity | CE                           |
| Test label                | CB Zertifikat, VDE, EAC, CQC |

# Dimensional Drawing



| Drawing<br>3 MB 79                        | Amp.<br>Poles | 16   |       |       | 32   |      |      |
|---|---------------|------|-------|-------|------|------|------|
|   |               | 3    | 4     | 5     | 3    | 4    | 5    |
| Dim. in mm                                | <b>a</b>      | 165  | 177   | 174   | 211  | 211  | 209  |
|   | <b>b</b>      | 55   | 68    | 69    | 78   | 78   | 80   |
|   | <b>h</b>      | 72   | 93    | 98    | 100  | 100  | 108  |
| <b>y min. from</b>                        |               | 7    | 8     | 8     | 10.5 | 10.5 | 13.5 |
| <b>to max. mm</b>                         |               | -13  | -15.5 | -15.5 | -18  | -18  | -20  |
| <b>Terminal for cond. cross</b>           |               | 1    | 1     | 1     | 2.5  | 2.5  | 2.5  |
| <b>section (mm<sup>2</sup>) min.-max.</b> |               | -2.5 | -2.5  | -2.5  | -6   | -6   | -6   |