

Connector PowerTOP Xtra G

Part number: 14384



MENNEKES
Elektrotechnik GmbH & Co. KG

Aloys-Mennekes-Straße 1
57399 Kirchhundem
GERMANY

www.MENNEKES.org

Product Description

- screw connection technology ErgoCONTACT
- economic enclosure design with nubbed grip areas
- enclosure with thread lock and safety slide
- highly heat resistant contact carrier, nickel plated contacts
- X-CONTACT
- protection against kinking
- strain relief
- rubberised cable gland with sealing
- area for self-adhesive labels
- with protective grommet to prevent dirt from accumulating

Technical Details

Connector PowerTOP Xtra G	14384
Product serie	PowerTOP Xtra G
Ampere	32A
Number of poles	5p
Clock position	6h
Nominal voltage AC	400V
Nominal frequency	50 - 60 Hz
Protection type IP	IP54
Contact carrier	highly heat resistant contact carrier, nickel plated contacts
X-CONTACT	yes
Connection	screw terminals - ErgoCONTACT
Contact screw drive	PZ2, slot
Tightening torque connection terminal	1.8 Nm
Recommended wire end treatment for supply cable connection terminal	ferrule square gasproof crimped
Strip length jacket	68 mm
Strip length conductor PH + N	12 - 15 mm
Strip length conductor PE	12 - 15 mm
Pilot contact	without pilot contact
Conductor cross-section min.	2.5 mm ²
Conductor cross-section max.	6 mm ²

Connector PowerTOP Xtra G	14384
Cable kink protection	integrated in cable gland
Protective grommet	with protective grommet
Weight (net)	423 g
Packaging unit	10 pcs
Quantity per pallet	480 pcs
EAN / identification number	4015394310136

Permissible ambient conditions		
	Min.	Max.
Permanent ambient temperature	-25 °C	40 °C

Material properties	
Cover	PA6 red [similar RAL 3013]
Front part	PA6 red [similar RAL 3013]
Hinged lid	PC red [similar RAL 3013]
Clamp basket	PA6 natural colour [no RAL colour code]
	TPE squirrel grey [similar RAL 7000]
Fastening	PA6 squirrel grey [similar RAL 7000]
	TPE anthracite [similar RAL 7016]

Material resistance

The material resistance overview can be found on the website in the section “Knowledge” - “Product knowledge” - “Materials”.

Material and enviromental properties	
RoHS 2011/65/EU incl. 2015/863/EU	✓
POP regulation (EU) 2019/1021	✓

Regulations and Standards

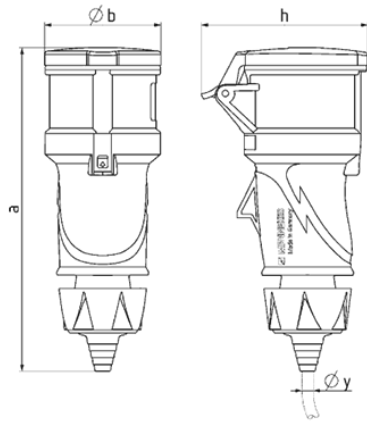
Norm

DIN EN IEC 60309-2

Declaration of Conformity

CE

Dimensional Drawing



Drawing	Amp.	16		32
		Poles		5
3 MB 86		3	5	5
Dim. in mm	a	187	197	236
	b	55	69	80
	h	72	98	108
y min. from		6	6	10
to max. mm		-16	-16	-23
Terminal for cond. cross		1	1	2.5
section (mm ²) min.-max.		-2.5	-2.5	-6