

## Panel mounted receptacle

Part no. 75136

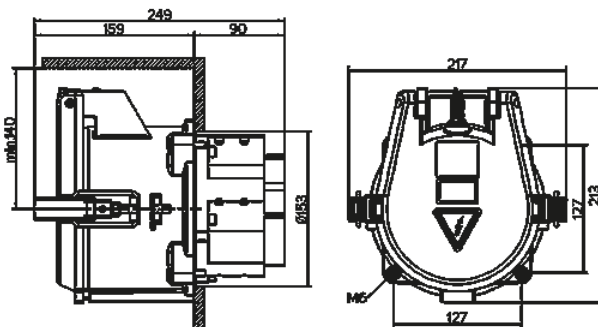


- screw terminals
- seawater resistant products are available on request

## Technical specifications

Ampere	400 A
Poles	5 p
Voltage	400 V
Clock position	6 h
Hertz	50-60 Hz
Connection technology	Screw terminals
Contact	standard
Protection type	IP 67
Weight	7850 g
Declaration of Conformity	EAC

## Drawing



**Drawing**  
**1 MB 388**

**Dim. in mm**